

BEFORE YOU BEGIN

安装之前

- Please read these instructions carefully to familiarize yourself with the required tools, materials, and installation sequences. Follow the sections that pertain to your particular installation. This will help you avoid costly mistakes. In addition to proper installation, read all operating and safety instructions.
- All information in these instructions is based upon the latest product information available at the time of publication. Kohler China reserves the right to make changes in product characteristics, packaging, or availability at any time without notice.
- These instructions contain important care, cleaning, and warranty information—**please leave instructions for the consumer.**
- SPACITY cabinet adopts E1 grade wood-based panel of high quality, and with further processing, its harmful emissions will be less than 1.5mg/L.
- Turn off the water supply.
- The plumbing installation must comply with Water Supply Regulations/Bye-laws, Building Regulations or any particular regulations and practices, specified by the local water company or water undertakers. The installation should be carried out by a plumber.
- Before installation carefully inspect the new fixture for any signs of damage.
- This product complies with GB 24977-2010.
- Before installation, make sure to reserve the upper and lower water holes on the wall and floor. Refer to the image below.

- 请仔细阅读本指引，以便熟悉所需工具、物料及安装程序。请遵照适用的章节来安装本产品，以免安装失当导致不必要的损失。除了有关正确的安装方法之外，还务请详阅所有操作及安全指引。
- 本指引所载之一切资料，均以印刷时所有之最新产品情况为基础，科勒中国保留权利随时更改产品特性、包装或供应情况，恕不另行通知。安装家具之前，请先确认所有必需的电气工作均已完成。
- 本指引也包含了有关保养、清洁及担保等重要资料-请交予用户保存。
- 思拓浴室柜选用E1级优质饰面人造板精心加工而成，其有害气体释放量少于1.5mg/L。
- 关闭供水。
- 管道安装必须遵循当地所有给排水、建筑或者其他的特别规定。管道安装人员必须具备相应资格。
- 安装之前，仔细检查新产品是否有损伤。
- 本产品符合GB 24977-2010。
- 安装之前请确认安装墙面和地面预留好上下水孔。参考下图。

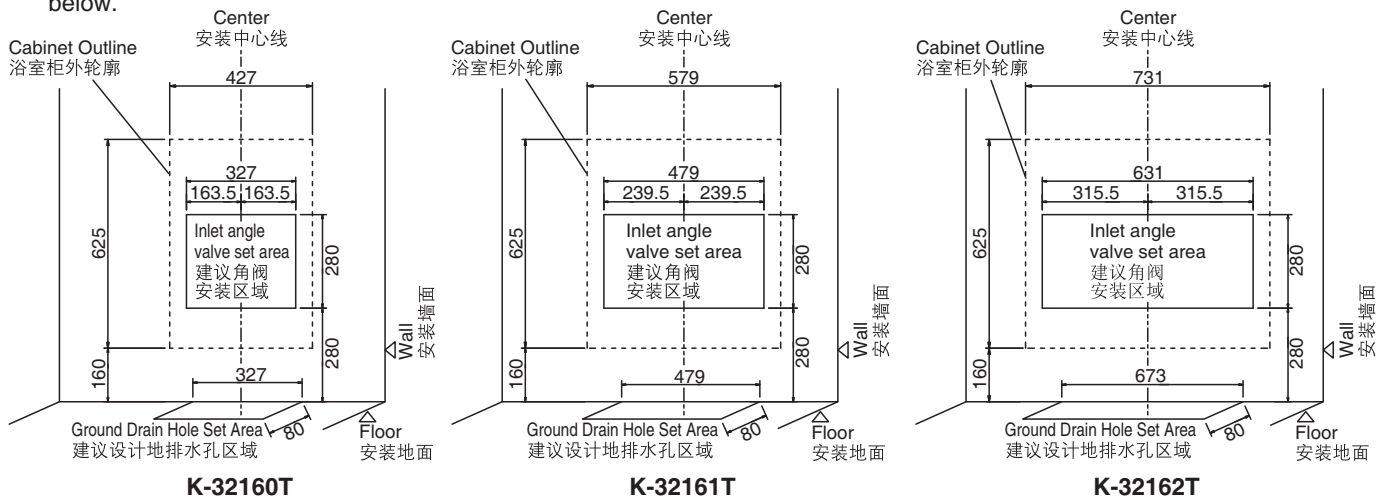


Fig.1
图1

ORDERING INFORMATION

This installation covers the following products in the SPACITY range:

SPACITY Cabinet 450*450mm	K-32160T
SPACITY Cabinet 450*600mm	K-32161T
SPACITY Cabinet 450*750mm	K-32162T

订购信息

此安装说明书适用于以下思拓系列家具的安装：

思拓套间 浴室家具450*450mm	K-32160T
思拓套间 浴室家具450*600mm	K-32161T
思拓套间 浴室家具450*750mm	K-32162T

CHANGSHU KOHLER LTD., SOUTHEAST ECONOMIC DEVELOPMENT ZONE,
 CHANGSHU, JIANGSU PROVINCE, CHINA POST CODE 215500
 常熟科勒有限公司 江苏省常熟市东南经济开发区 邮编：215500

SAFETY WARNINGS

Kohler products are precision-engineered and should give continued superior and safe performance, provided:

1. They are installed, commissioned, operated and maintained in accordance with the recommendations given in this Manual.
2. Periodic attention is given, as necessary, to maintain the product in good functional order. Recommended guidelines are given in the **MAINTENANCE** section.

Carefully inspect the new fixture for any signs of damage.

When installing Kohler Products, manufacturers guidelines for power tool safety should be followed.

安全警告

科勒产品经过精确制造，性能卓越，经久耐用。为保证产品品质，您必须：

1. 按照此手册中推荐的方法进行安装、启动、操作及维护。
2. 如有需要，定期检查，令产品保持良好性能状态。日常维护章节中列有推荐方法。

仔细检查新产品是否有损伤。

在安装科勒产品时，必须遵循制造商相关电动工具的安全的指令。

ROUGHING-IN

尺寸图

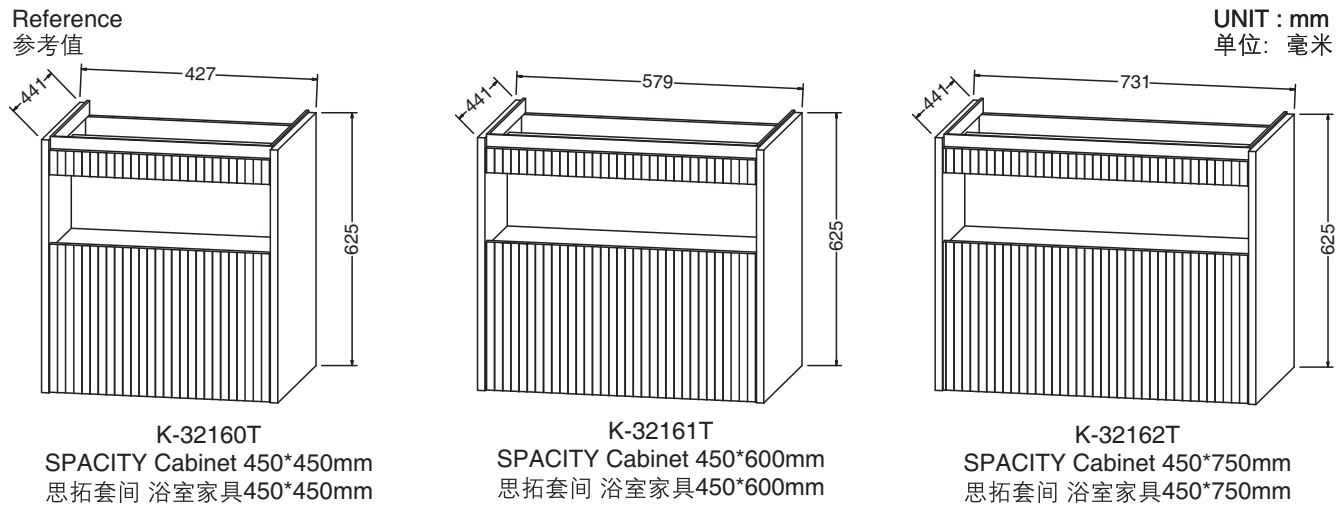


Fig.2
图2

Kohler reserves the right to change marked dimensions without prior notice.
科勒公司保留随时变更图中标示尺寸的权利，无需另行通知。

INSTALLATION

安装

A. Install Washbasin Cabinet

Install the services.
Hot (H) and Cold (C) inlets must be connected to the correct inlet pipes.
Install the drain in accordance with the manufacturer's instructions.

Caution! Make sure a watertight seal exists on all washbasin drain connections.

Caution! Provide access to the plumbing connections for future plumbing maintenance.

The hot and cold water supplies must be installed with isolating valves.

A. 安装脸盆柜

安装管道
热水(H)及冷水(C)入口必须连接至正确的进水管。
根据制造商说明书安装排水。

小心! 请确保所有脸盆排水的连接处都装有防水密封圈。

小心! 管道连接处需留有检修空间，以备日后管道维护之用。

注意! 安装冷热供水管时必须使用隔离阀。

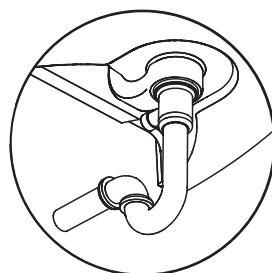


Fig.3
图3

1. Mark the position of hanged bracket and wall bolt according to dimensions as illustrated, and loosen the suspension hook of washbasin cabinet.

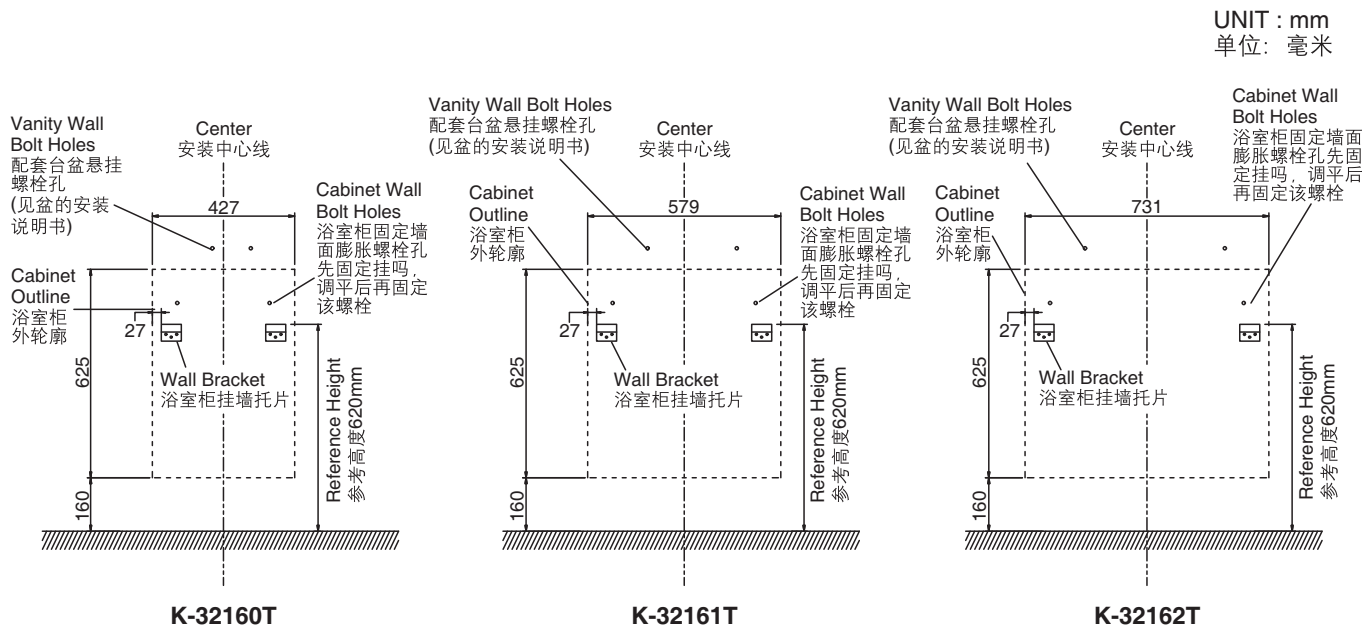
1. 根据图示尺寸在墙壁上标示出挂墙托片和配套台盆悬挂螺栓的位置，并将脸盆柜吊码的挂钩伸长。

Caution! Avoid the cables and pipes inner set when drilling in the wall.

小心! 在墙壁上钻孔时请务必小心避开内设的缆线和管道。

Note: Different types of bolts are required for different decoration boards. Please apply suitable bolts and plugs.

注意: 不同的装饰墙面需要不同型号的螺钉。请使用合适的螺钉和入墙胶塞。



2. Drill holes for fixing the bracket and bolt. Using a level to ensure that the hanged bracket is level.

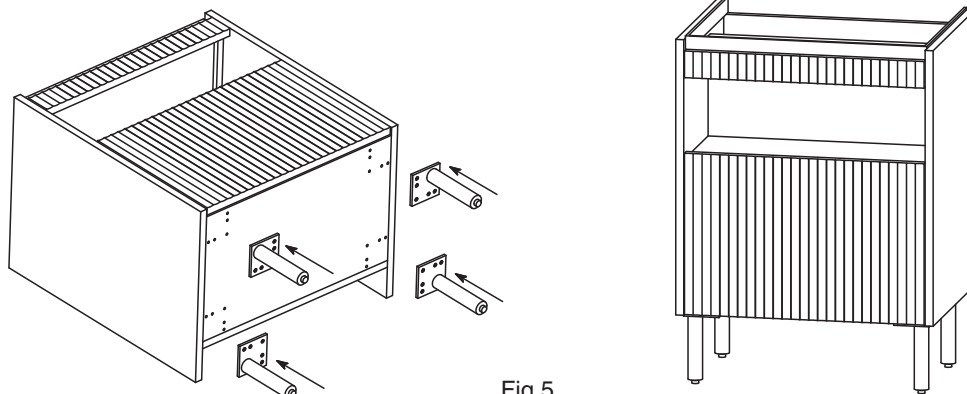
2. 钻好挂墙托片柜体固定孔及台盆悬挂螺栓的安装孔。使用水平仪检查，确保挂墙托片水平。

3. Use suitable plugs and bolts, and fix the bracket and bolt on the wall. Fix the bolts supplied with the vanity on the wall. Each bolt shall be 65-75mm out of the wall.

3. 使用合适的入墙胶塞和螺钉，将挂墙托片和柜体固定膨胀管固定在墙上。配套台盆配件中的悬挂螺栓也固定在墙上，并依照台盆说明书要求使每个螺栓保持外露约65-75mm。

4. The product can be equipped with metal supporting feet (K-32251T-MRL and K-28812T-APB), installation see below figure 4, after the bath cabinet is removed, as shown in figure on the ground, for the support foot installation, according to the good effect as shown in figure. (Skip this step if you don't have a support foot)

4. 该产品可选配金属支撑脚 (K-32251T-MRL和K-28812T-APB)，安装见下图4，将浴柜取出后，如图平放在地面上，进行支撑脚的安装，按照好后效果如图所示。（如果没有购买支撑脚可忽略本步骤）

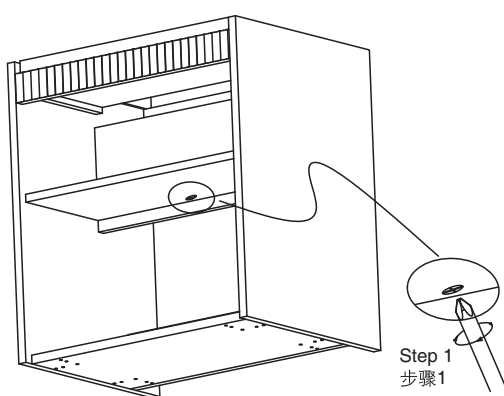
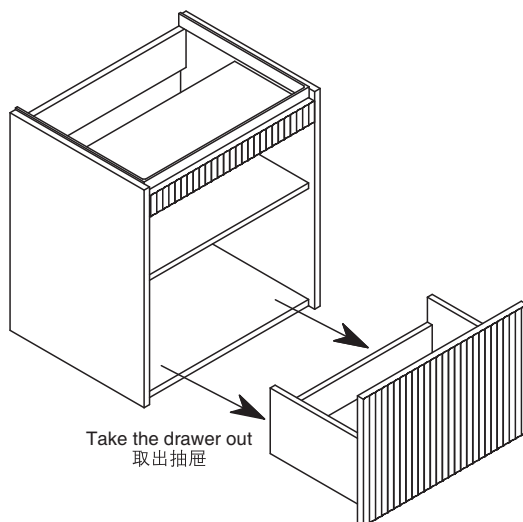


5. Fix onto wall.

Before installation: for ease of installation, remove the lower barrel and the Light Shield (see below, drawer and Light Shield)

5. 与墙面固定

安装之前：为了便于安装，先取出下抽桶，以及挡光板（见下图，取出抽屉和挡光板）。



Take the back panel out
取下挡光板

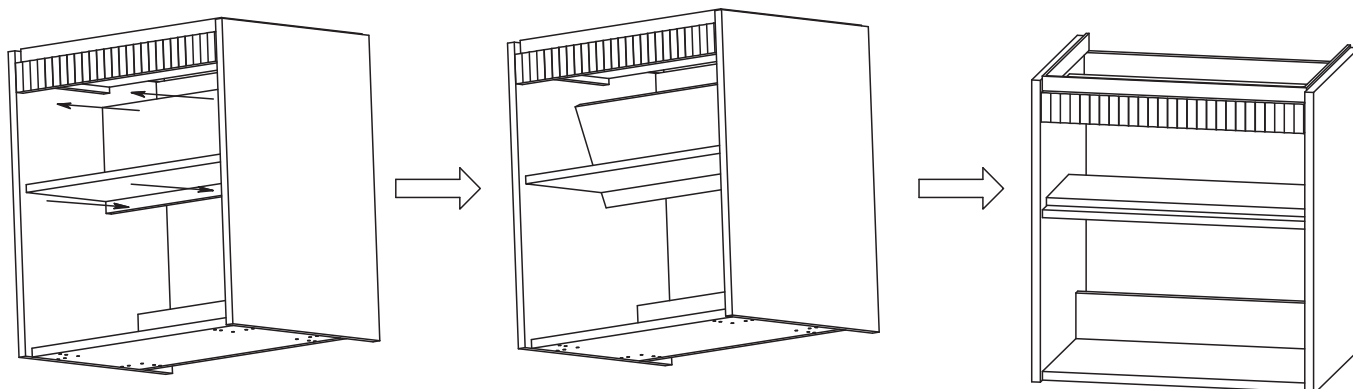
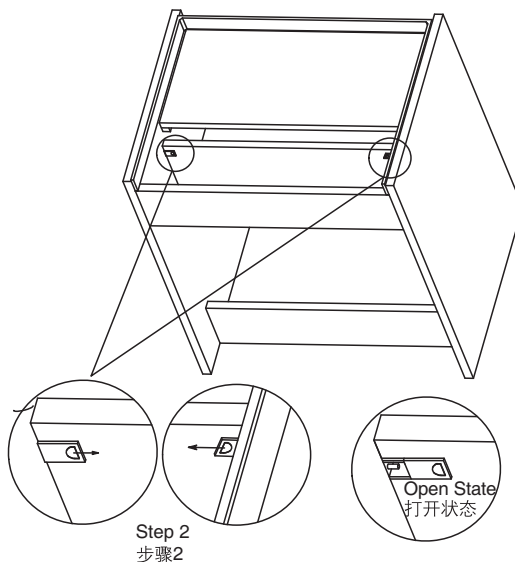


Fig.6
图6

- a. Lift the cabinet and vanity by two people. Align the vanity hanging hole with the bolts on the wall. Make the bolts through the vanity hanging hole.
- b. Hang the two back wall clips onto the pre-fixed bracket on the wall.

- a. 由两人稍稍抬起柜体和台盆，先将台盆悬挂孔对准墙面预先打好的台盆悬挂螺栓，使螺栓穿过台盆孔。
- b. 将柜体后部的2个挂钩挂在墙面预先安装好的托墙挂片上。

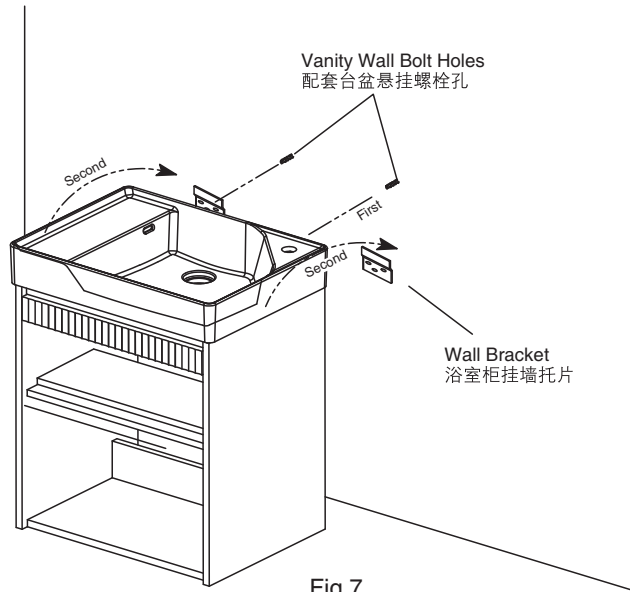


Fig.7
图7

- c. Adjust the level of the bath and sink (see figure below).

- c. 调节浴柜和台盆的水平（见下图）。

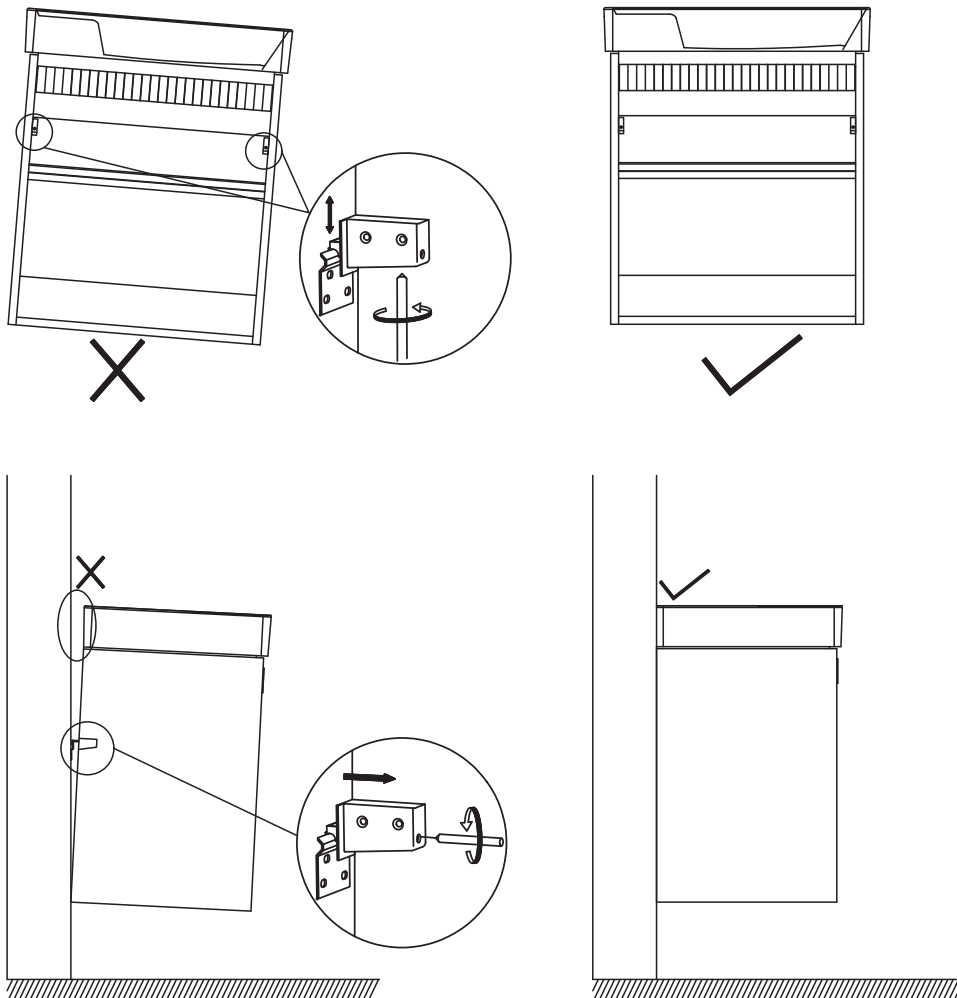


Fig.8
图8

d. Re-perforate the wall (see figure below).

d. 墙面再次打孔 (见下图)。

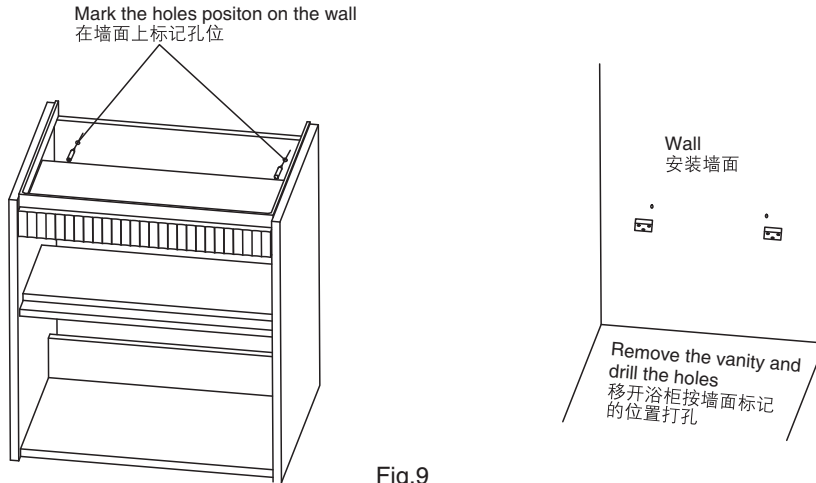


Fig.9
图9

e. Repeat Steps a, b, and c to confirm that all levels are adjusted before finally locking the expansion bolts with the wall fastening.

e. 重复步骤a, b, c, 确认都调整水平后, 最后锁紧与墙固定的膨胀螺栓。

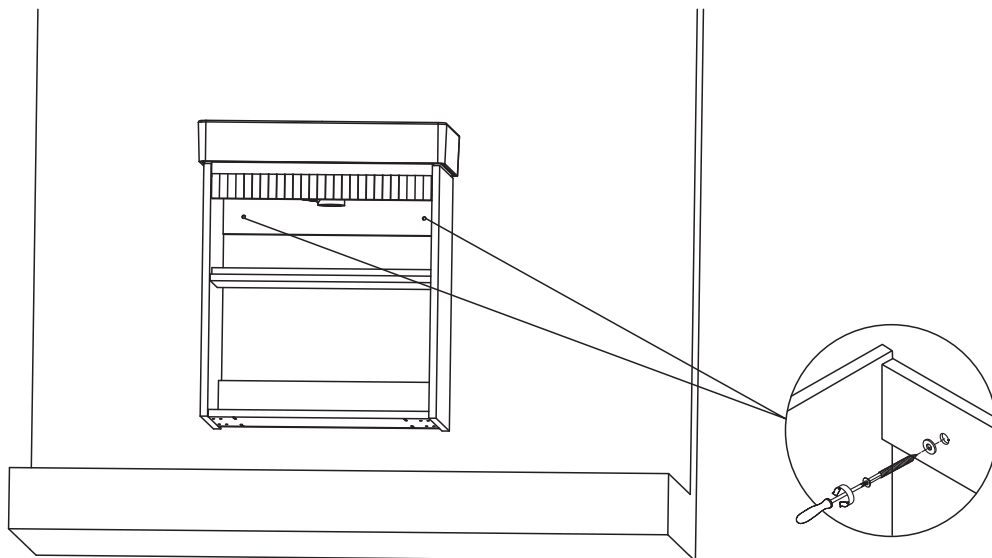


Fig.10
图10

f. Fix the table basin with the wall surface according to the installation instruction of table basin.

f. 按照台盆的安装说明将台盆与墙面固定起来。

g. End of wall fixation.

g. 墙面固定结束。

6. Install upper and lower water (refer to faucet and drain installation instructions) .

6. 安装上下水（参考龙头和去水的说明书安装）。

Note: The installation of the water by professionals to ensure that no leakage.

注意：由专业人员来安装上下水，确保无渗漏。

7. Install a light shield and drawer (see figure below) .

7. 安装挡光板及抽屉（见下图）。

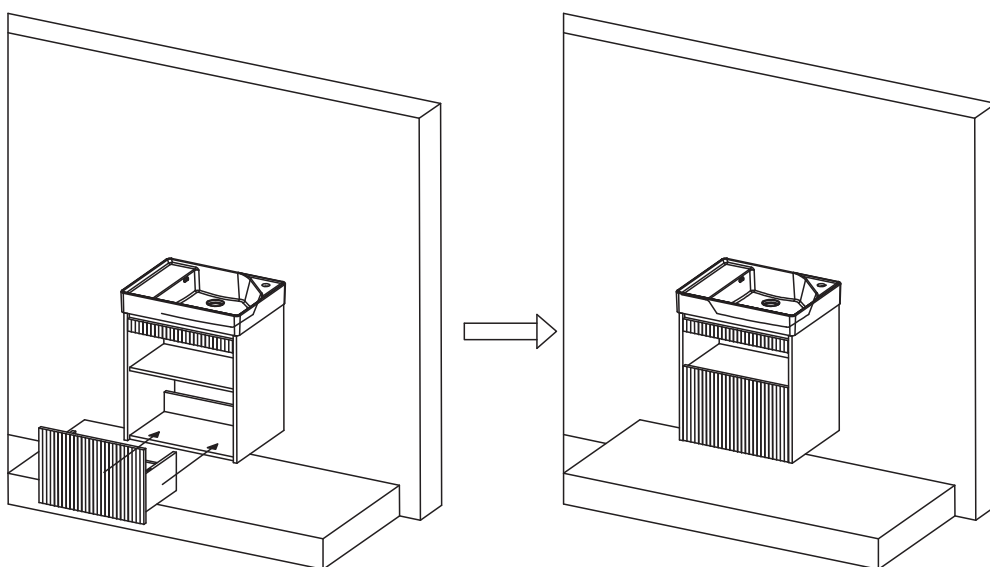
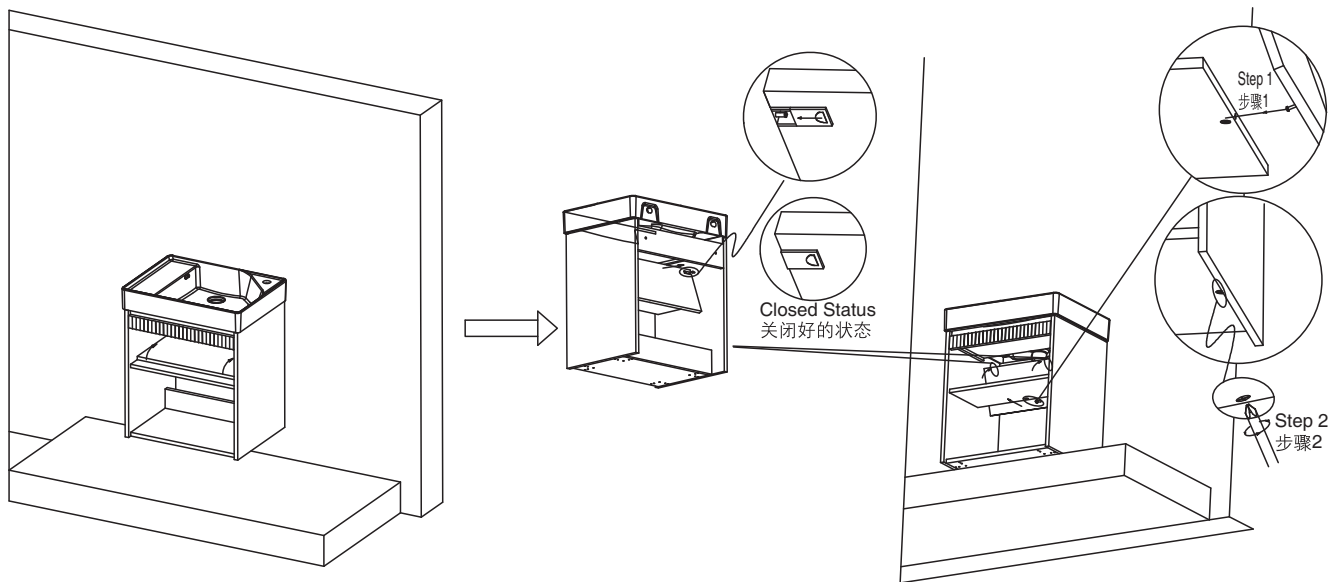


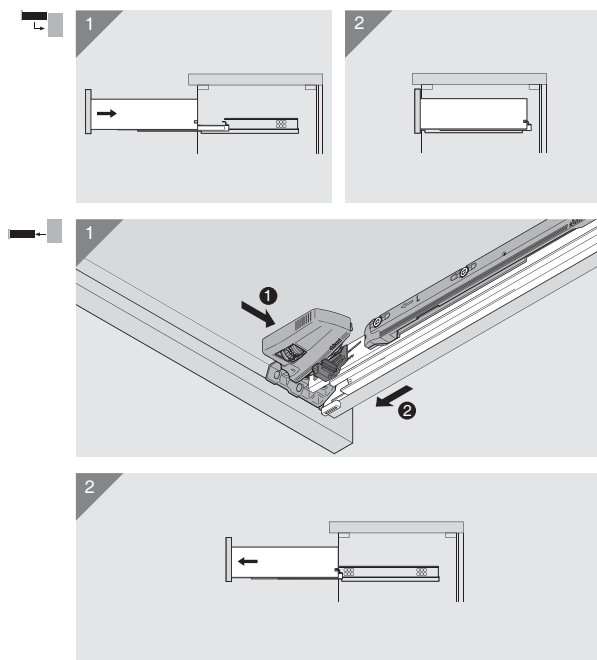
Fig.11
图11

DISASSEMBLY AND REGULATION

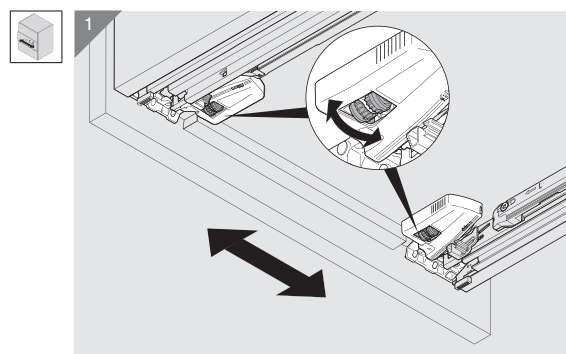
拆卸和调节

- Installation, disassembly and adjustment of drawers.

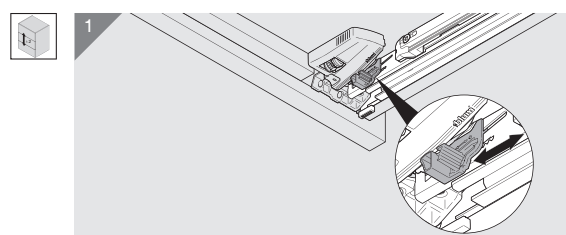
- 抽屉的安装拆卸和调节。



Installation and Disassembly
安装和拆卸



Left and Right Adjustment
左右调节



High and Low Adjustment
高低调节

Fig.12
图12

USER MAINTENANCE

日常维护

⚠ Warning! Risk of product damage.

⚠ 警告！小心产品受损。

1. Many cleansers contain abrasive and chemical substance which is not suitable for cleaning stainless steel, enamel, plating or plastic products. You may use mild cleansers or soaps to clean the surfaces. Wipe any splashes of cleaner solutions from the surface with clean soft cloth.
 2. Maintain ventilation in the bathroom, and separate the dry area from the damp one if conditions permit. Try to open the door and windows of the bathroom and maintain good ventilation.
 3. Kohler bathroom cabinet are dealt with strict procedures for damp-proof, whose good damp-proof function ensures good performance even in bathroom of huge humidity. Yet do not splash and pour water directly on the bathroom cabinet. Make sure that the bathroom is not over damp and wipe any splashes from surfaces immediately.
 4. Maintenance of door board: Clean and wipe door board regularly, and wipe the condensation vapor with dry and soft cloth.
 5. Ensure that electrical connections for appliances such as head lamp is insulated wipe mirror surface with chamois regularly to guarantee the persistent excellent performance.
 6. Please do not sit, lean or step on the basin cabinet.
 7. If any fixtures caused by abnormal reasons, Kohler China can supply paid replacement for service parts caused by abnormal reasons as shown in the Service Parts Page in the limited duration of warranty.
1. 许多清洁剂都含有研磨剂及化学物质，不可用于清洁不锈钢、搪瓷、镀层或塑料制品。这些表面须使用温和的清洁剂或皂液进行清洁，将残余洗涤剂洗干净，然后用干净的软布擦干。
 2. 卫生间请保持良好的通风状态，有条件的可以干、湿分离，平常尽量保持浴室空气畅通，养成开窗开门的习惯。
 3. 科勒浴柜都经过严格的防潮处理，但防潮并不是防水，使用时不可随意任浴柜被水浇、溅。良好的防潮性能可以保证在高相对湿度时仍有良好使用性，所以请避免卫生间过于潮湿，遇有水迹要及时擦干。
 4. 门板的保养：经常用软布定期清洁、擦拭，洗浴后的冷凝水蒸气应用干布擦净，保持门板的干爽。
 5. 照明灯等电器连接要确保绝缘、防潮镜面最好用麂皮经常擦拭，可以保障使用质量经久如一。
 6. 日常使用时，请勿坐、倚、靠、踩踏在脸盆柜上。
 7. 科勒公司确保在担保期内，可以提供因非正常原因造成的如维修零件图中零件的有偿更换。